

Model No. 4W

Product Image



Features

Constant current drive + Non polarity

3chipSMD LED mounted

Reverse voltage, current protection

Double-sided PCB design to maximize heat release

120° Viewing angle creates better silhouettes with even light distribution

Durable epoxy resin fill for waterproof rating with IP68

12V DC operation requires a constant voltage Power supply (Sold separately)

Product dimension and connections

Case Dimension : 96L x 15W x 7H mm

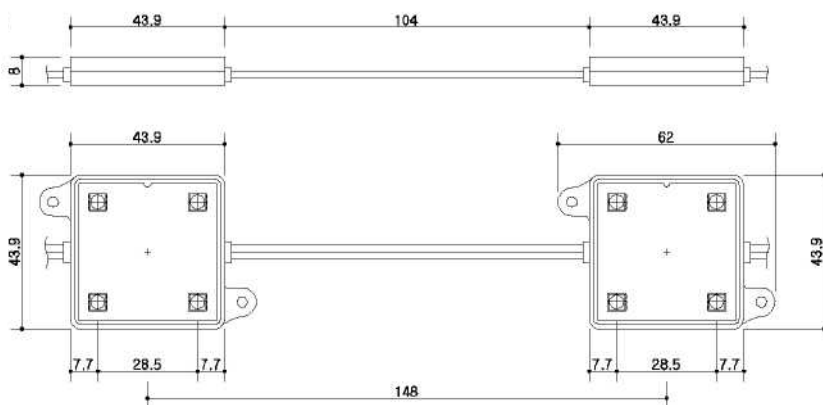
Weight: 13g per module

LED Pitch : 40mm

Wire length : 95mm

Center to Center: 191mm

Maximum run in series : 50 modules



Product dimension and connections

| Product No. | [4 W] Square type | | | | |
|---------------------------------|--|-------|--------|-------|-------|
| Color | W | R | G | B | AB |
| Operating Power | DC 12V | | | | |
| Power / Current Dissipation | 1.44 W, 120mA | | | | |
| LED Spec | 120° Viewing angle, 50,000hr rated life, made in Korea | | | | |
| Luminous intensity(mcd) | 22,000 | 8,400 | 14,400 | 3,200 | 8,400 |
| Luminous intensity(lm) | 62.4 | 23,6 | 40,6 | 9.1 | 23,6 |
| Dominant Wavelength | - | 625 | 525 | 460 | - |
| Standard Color Temperature | 8,500 | - | - | - | - |
| Module connection & Cuttability | Wire to Wire Series connection, every module | | | | |
| Recommended Channel Height | Min. 80mm | | | | |
| Operating Temperature | -20°C~ 60°C | | | | |
| Storage Temperature | -30°C~ 70°C | | | | |
| Waterproofing rate | IP68 | | | | |
| Cable | awg18, 1007-SPT-1(105°C) | | | | |
| Case Materials | ABS housing + Ductile Epoxy Treatment | | | | |

Contact:

AMC System tel. +48 122830840 fax: +48 122854484

www.amcsystem.pl e-mail: led@amcsystem.pl